

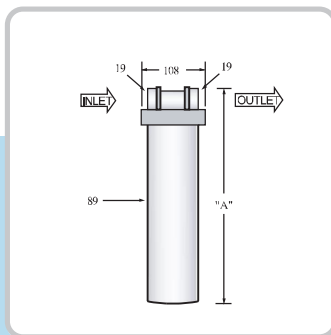
FH SERIES - FILTER HOUSING

FH-series, Filter Housing, is designed for cost-sensitive application. It offers an economical filtration application involving chemical systems, general pre-filtration, and final production purification. Stainless materials ensure longevity and system purity. This is a good choice for small to medium-flow industrial applications.

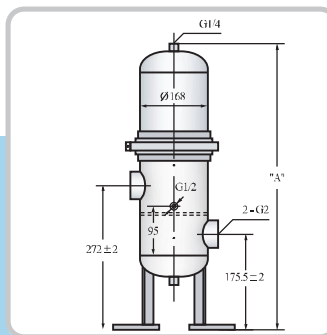
Option

Top V-clamp closure style is widely used for the filtration purposes application with shorter cartridge length.

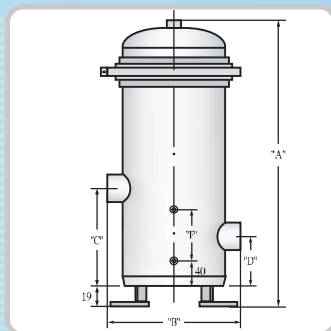
Middle V-clamp closure style is favourite when the application is subjected to the height constraints.



1-Round

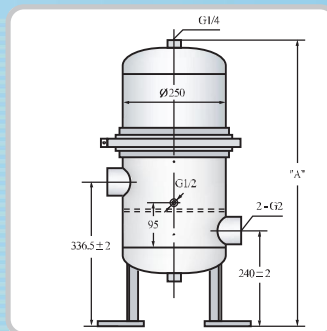


3-Round



3, 7, 12-Round

Top V - Clamp



7-Round

Middle V - Clamp



Ordering Information: FH-0320-DOE-TP

Model	# of Cartridge per Housing	Cartridge Length	For Filter with Endadapters	V-clamp Position / Finishing
FH =	01 = 1 piece	10 = 10 inch	DOE =	T = Top
Filter	03 = 3 pieces	20 = 20 inch	Double Open End	M = Middle
Housing	07 = 7 pieces	30 = 30 inch	EHE =	TP = Top / Polished
	12 = 12 pieces	40 = 40 inch	222 O-rings and Fin Type	MP = Middle / Polished



AquaSource Components Ltd.

Address: Room 1806, 18/F., Regent Centre, 88 Queen's Road C., Central, Hong Kong.

Tel: (852)3427-3040

Fax: (852)3186-6739

www.aqua-components.com

e-mail:sales@aqua-components.com