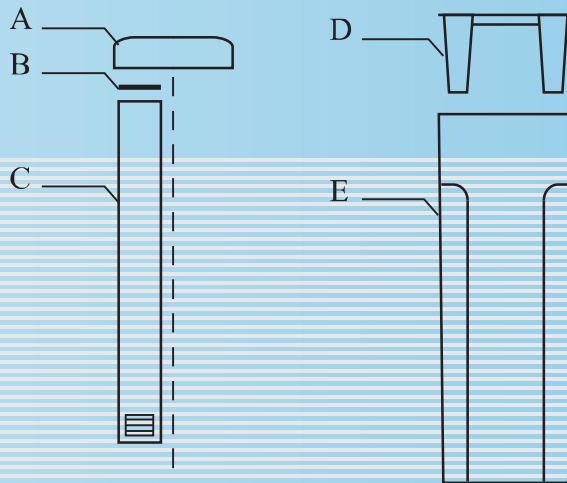


BRINE TANK

AquaSource Brine Tank is designed for residential and light commercial applications. Our Brine tanks manufactured from polyethylene materials are widely used in family households. Our durable materials with latest plastic processing technology enhances the durability of the tanks and resists the damage from sunlight.



Assembly Information

- A Blow molded cover
- B Brine well cap
- C Brine well
- D Grid System
- E Brine Tank

Ordering Information

| Models | Capacity (Liter) | Tank Size | Height (mm) | Width (mm) |
|---------|------------------|--------------|-------------|------------|
| BT 1135 | 64 | 11 x 11 x 35 | 885 | 275 |
| BT 1435 | 105 | 14 x 14 x 35 | 885 | 350 |



AquaSource Components Ltd.

Address: Room 1806, 18/F., Regent Centre, 88 Queen's Road C., Central, Hong Kong.

Tel: (852)3427-3040

Fax: (852)3186-6739

www.aqua-components.com

e-mail: sales@aqua-components.com